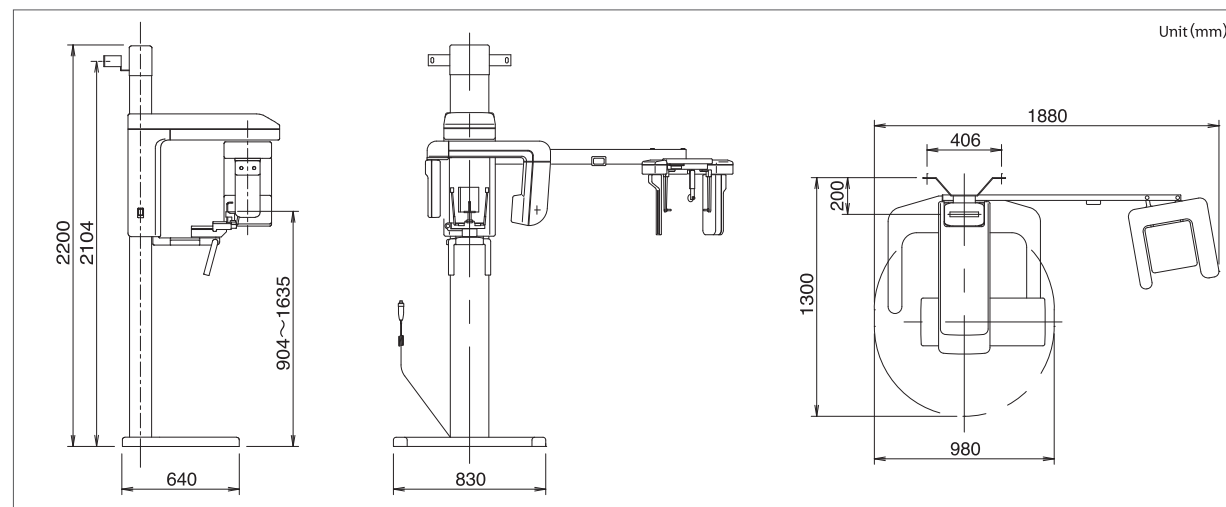


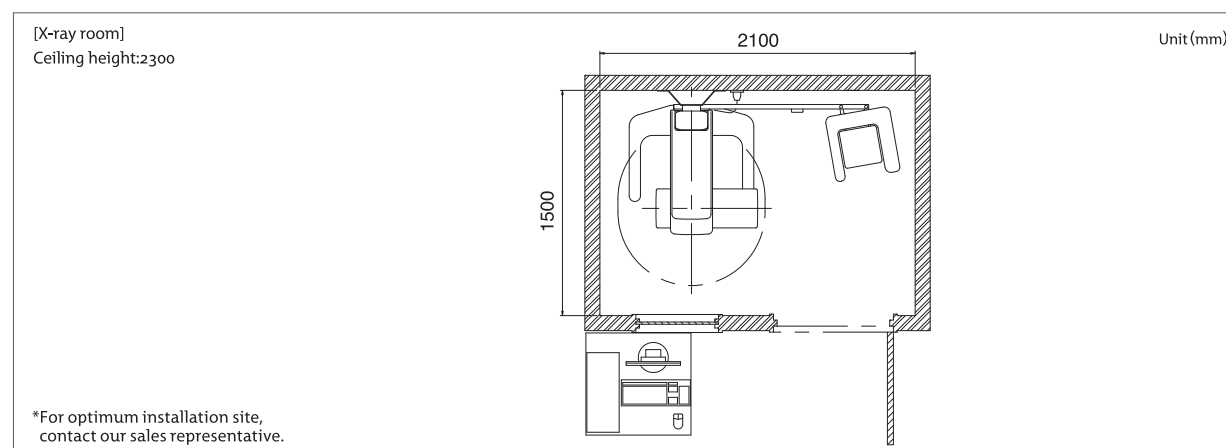
Specifications

Product name	Digital Panoramic X-ray Unit Hyper-X series
Type	Hyper-G CM
Rated Voltage	100/110/120/200/220/230/240V, 50Hz/60Hz 1φ
Power requirement	2.0 kVA
High voltage generator	High Frequency Inverter Method (100 kHz)
Tube voltage	60 to 90 kV (1 kV step)
Tube current	2 to 12 mA (2 mA step)
Radiography method	Manual exposure
X-ray tube	D-052SB
Focal spot	0.5 mm
Total filtration	2.5 mm Al (min)
Exposure mode	Panoramic : Adult/Child/Orthoradial TMJ : PA/Lateral Cephalometric : PA/Lateral
Exposure time	Panoramic : 7 sec/12 sec Maxillary Sinus : 8 sec TMJ : PA 3sec (x2times) / Lateral 3 sec (x4times) Cephalometric : PA 4sec / Lateral 2.9sec (Short time), 4sec (Normal mode)
Image magnification	Panoramic : 1.21 to 1.36 Maxillary Sinus : 1.20 to 1.22 TMJ : PA Approx 1.88 / Lateral Approx 1.24 Cephalometric : PA & Lateral 1.1
Image sensor	CMOS sensor
Positioning beam	3 beams(median, ear-eye plane, anterior teeth)
Dimensions	W:1,880xD:1,300xH:2,200 mm
Weight	Approx. 214 kg

Dimensions



Footprint



Hyper·GCM
 Pan+Ceph

No attachment/detachment of the sensor is required.

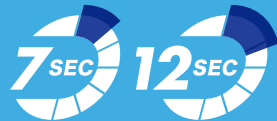
Improved quality of Panoramic/Cephalometric imaging

Our unique image processing technology has attained a higher level of image quality through frequency domain processing and elimination of image noise.

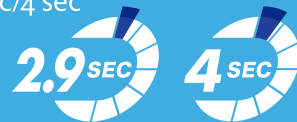
Panoramic images minimize the course appearance of mandibular joints/ and posterior teeth (a typical characteristic of photographic film images), assisting the diagnosis of caries or inflammation, cephalometric images are optimum for orthodontics.



Panoramic exposure: 7 sec/12 sec

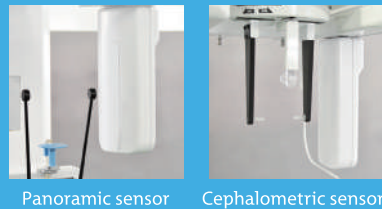


Cephalometric Lateral exposure: 2.9 sec/4 sec



No sensor attachment/detachment required

Dedicated sensors for The Panoramic radiography and the Cephalometric radiography. No attachment/ detachment of the sensors is necessary; quick and reliable exposure operation is always available. This also eliminates risk of dropping the sensor, as well as any malfunction or failure due to improper attachment/detachment.

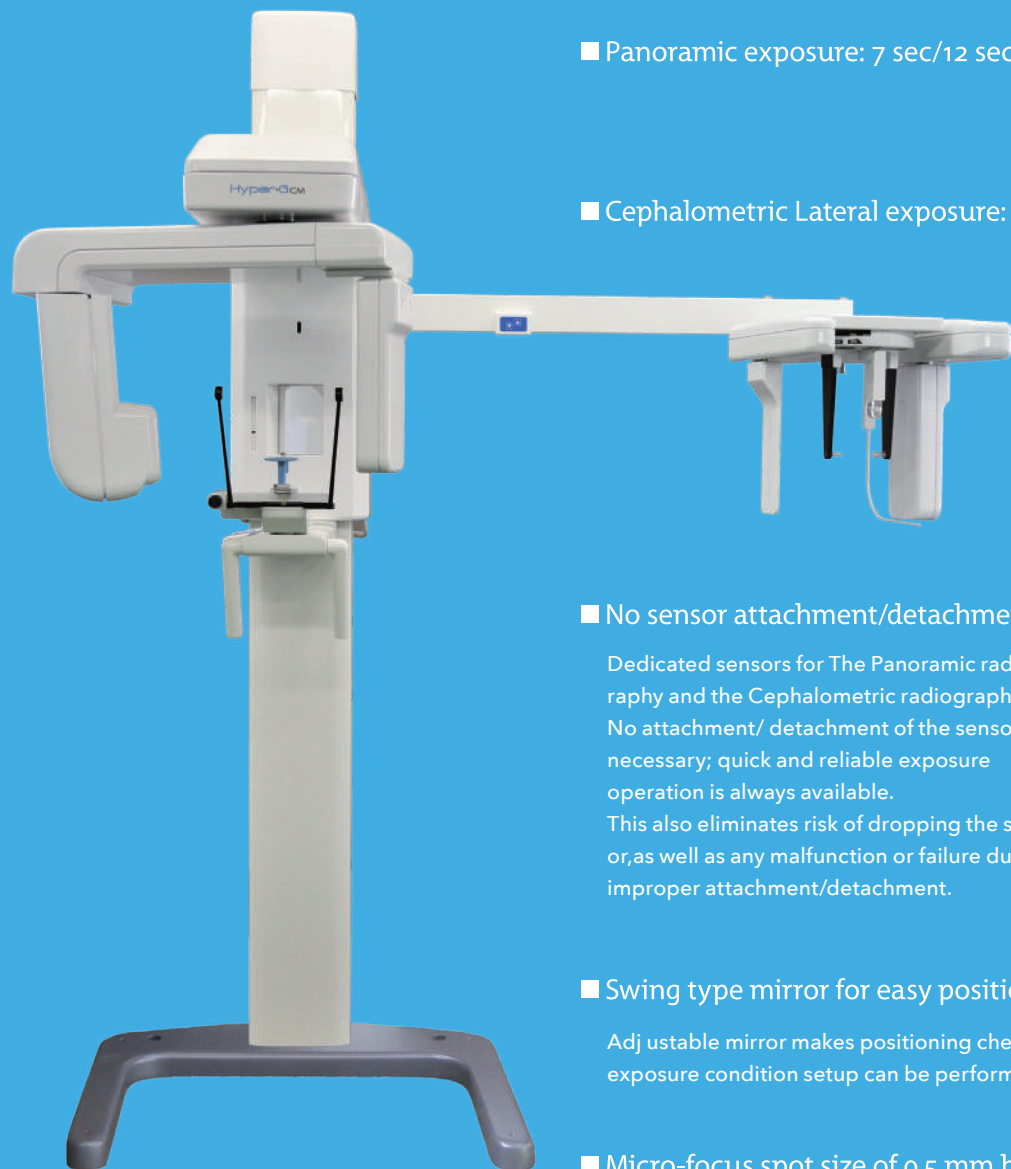


Swing type mirror for easy positioning

Adjustable mirror makes positioning checks easy. Via the PC screen, quick one-touch exposure condition setup can be performed.

Micro-focus spot size of 0.5 mm has been adopted

Micro-focus spot size realizes high-precision digital X-ray images.



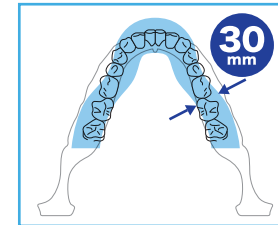
Hyper-G CM
Hyper-G CM

Tomosynthesis

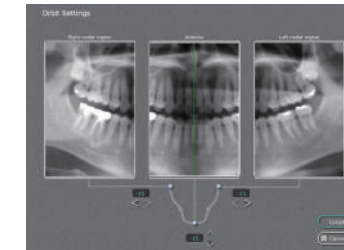
Acquisition of Panoramic images in Tomosynthesis mode provides image data with a slice depth of 30mm.

It is now possible to clearly see the blurring of the front teeth image area even in positioning failure.

*For children, the acquisition area of panoramic image data is different.
*This function is available only in NEOPREMIUM2.

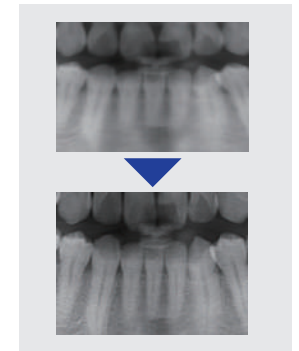


Automatic display can be performed with optimal slice positioning for the front entition area, from a region with a slice depth of 30 mm.



It is further possible to select an image from each of the front teeth and the left and right molars to obtain a set of images best matching the shape of the patient's dentition.

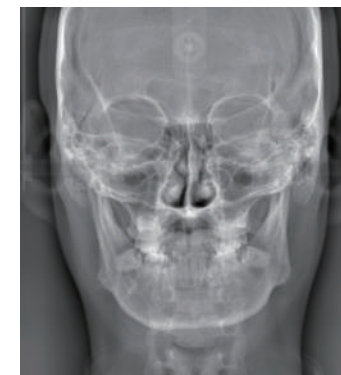
*Once a custom path has been saved, you cannot retrieve the default selection.



Clearer images can be displayed using data from 31 images spaced at 1 mm intervals.



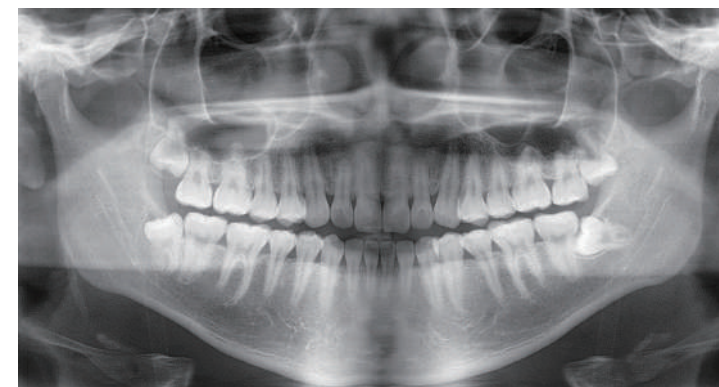
Cephalometric (Lateral, Short time) 2.9sec



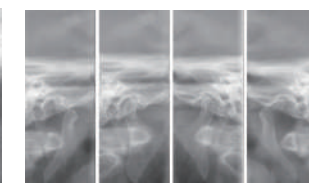
Cephalometric (PA) 4sec



Cephalometric (Lateral, Normal) 4sec



Panoramic 12sec (Normal)



Lateral TMJ 3sec (x4times)



PA TMJ 3sec (x2times)



Panoramic 7sec (Short time)



Maxillary Sinus 8sec