



ALULA-TW



ALULA-TM



ALULA-TS



ALULA

## ■ Feature

- High resolution image quality and reduction of radiation dosage are realized by X ray Tube Head with 0.4mm focal spot and proprietary inverter control method.
- Lineups of abundant kinds of equipment enables installation to X-ray room of various conditions.
- X-ray generator with light 4.5kg body enables smooth positioning to the exposure portion.
- The remote controller is slim and parm-sized.

## ■ Specification of the equipment

Product Name	70kV Dental series
Rated Voltage (∵1)	110/220/230/240 V 50/60 Hz 1 φ
Power Requirement	1.0kVA
High Tension Generator	Inverter D.C. Method(100kHz Pre-heating Method)
Maximum Rating	70kV 6mA 1.6sec
Tube Voltage	60, 70kV
Tube Current	6mA(constant)
X-ray Tube	D-041SB
Focal Spot	0.4mm
Exposure Field	φ 60mm(Tip of Exposure Cone)
Focal spot - Tip of Exposure Cone	200mm
Total Aluminum Filtration	1.5mmAl (min)
Exposure Mode	Adult, Child, Film(Dental, BW, OCCL) CCD, IP(Automatic Setting of Exposure Condition by Program)
Exposure Time	0.01 0.02 0.03 0.04 0.05 0.06 0.08 0.1 0.12 0.16 0.2 0.25 0.32 0.4 0.5 0.64 0.8 1.0 1.25 1.6 (sec)

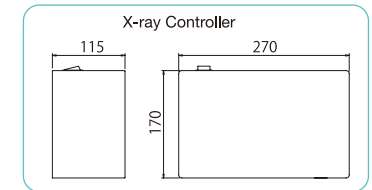
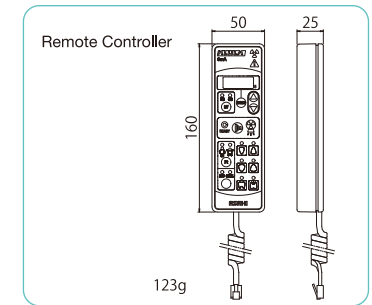
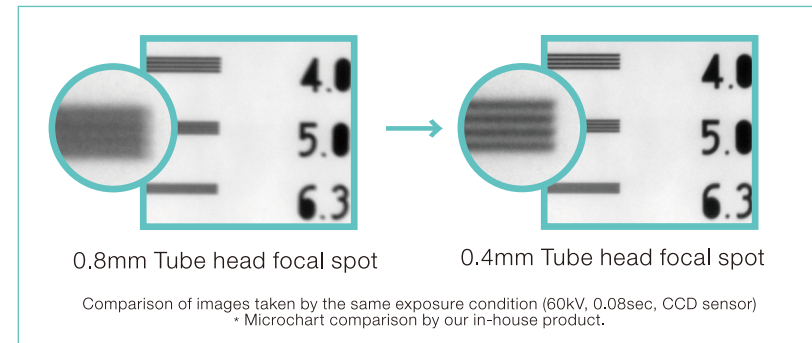
## ■ Use environment

Temperature	5 to 35°C
Humidity	30 to 85%
Atmospheric Pressue	700 to 1,060 hPa

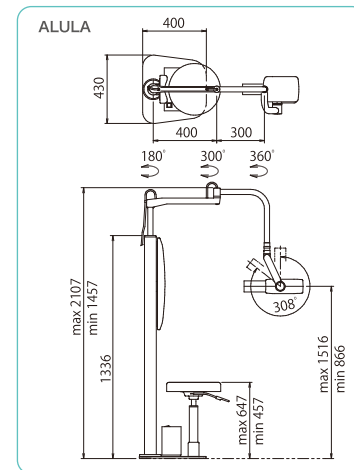
- \*1 Rated voltage is fixed according to the destination.  
\* Specifications and appearance are subject to change without prior notice.

## 0.4mm Tube head focal spot is adopted

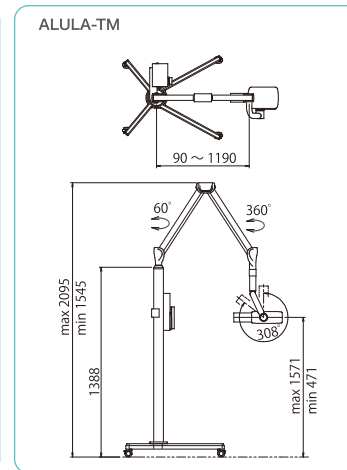
We are pursuing high resolution image quality.



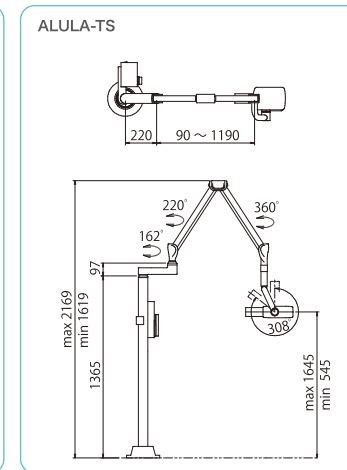
## ■ Dimensions Unit (mm)



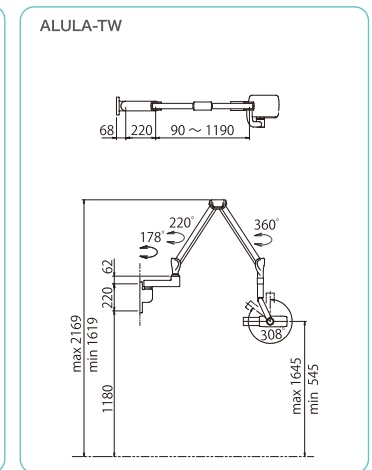
Chair Type  
Approx. 44kg



Mobile Type  
Approx. 43kg



Floor Mounting Type  
Approx. 31kg



Wall Mounting Type  
Approx. 22kg

ASAHIROENTGEN IND.CO.,LTD. <http://www.asahi-xray.co.jp/global/>

376-3, Tsukiyama-cho, Kuze, Minami-ku, Kyoto-shi, 601-8203, Japan

TEL:81-75-921-4373 FAX:81-75-921-6675 E-mail:trading@asahi-xray.co.jp

210316 | B01-C186E-leaflet-Rev.1

※Specifications and appearance are subject to change without preliminary notice for further improvement.